



## **BUCKAU-WOLF CONTINUOUS CENTRIFUGALS**

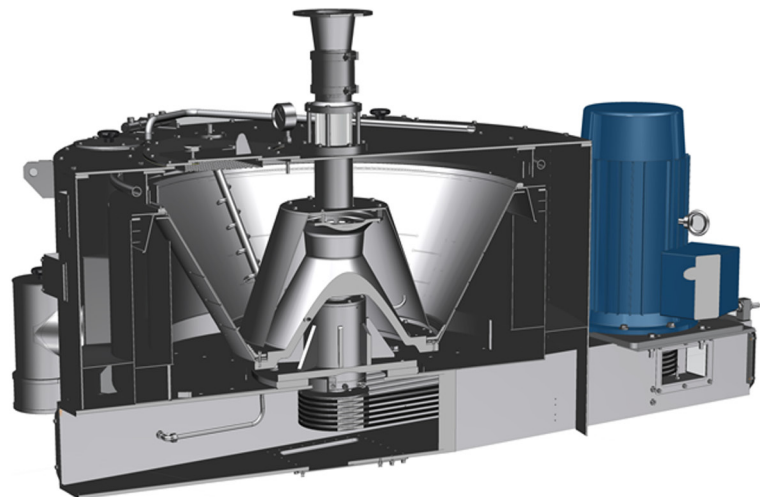
Buckau-Wolf Continuous Centrifugals C2500, C3000 combine special design features with an efficient type of construction, with many advantages for processing (1) raw sugar, (2) after-product and (3) after-product affination. The C series offers highest performance, minimal energy consumption, easy operability and low maintenance costs.

- ▶ Housing with low overall height for ergonomic operation
- ▶ A robust type of bearing construction with low oscillations, with drive motor and bearing system on one level, minimizing relative movements to one-another
- ▶ Generously sized bearings with reinforced basket shaft
- ▶ Simple sampling of 'white', 'green' run-off and sugar on the operator level
- ▶ Possibility of bearing lubrication by means of oil mist, hence a markedly longer service life of the bearing system
- ▶ Available as dry – "/D" and liquid discharge "/L" version
- ▶ Use of 'two-stage' top screens, hence better separation results and lower

- washing water requirement
- ▶ Simple disassembly and reassembly of the basket due to a reduced number of components
- ▶ Acceleration Cone with the possibility of integral steam feeding, thus a reduction of the massecuite viscosity and an increase at separation efficiency
- ▶ Process optimisation by means of various possibilities for the adding of auxiliary media e. g. water, steam and syrups
- ▶ Optimum control of massecuite feeding via PLC, and hence possibility

- of the use of more powerful control algorithms as compared with conventional PID controller
- ▶ Simple operation due to local Human Machine Interface (HMI) & detailed graphical display
- ▶ Motor starter system: Soft starter also available as Star-Delta or frequency converter drive
- ▶ Interface to process control systems also available

Buckau Wolf C Continuous Centrifugals are leading in output, energy efficiency and low maintenance. As a result, the C Continuous Centrifugal, is a high performance and easy to operate machine that is efficient in every aspect and will satisfy your requirements in the processing of raw sugar, after-product and afterproduct affination magma.





Type		C2500		C3000		
Product		Beet	Cane	Beet	Cane	
Motor	kW	55		90		
B-Product	T > 60 °C	t/h	≤ 28	≤ 25	≤ 40	≤ 35
C-Product	T > 50 °C	t/h	≤ 15		≤ 21	
C-Affination	T > 70 °C	t/h	≤ 22	≤ 20	≤ 32	≤ 27