

# SERVICES FOR SUGAR TECHNOLOGY

Buckau Wolf Sugar Technology supports its customers during commissioning, maintenance, repair, operational safety checks and recurring tests. Our service employees are qualified, long-term experienced and certified professionals.

## Commissioning

- Worldwide commissioning of our machines
- We commission machines and train our customers with our experienced technical experts

## Maintenance and repair

- We perform maintenance at our site in Grevenbroich, Germany, or at the sites of our customers
- We repair customer machines and perform safety modifications according to the state-of-the-art



## Original spare parts

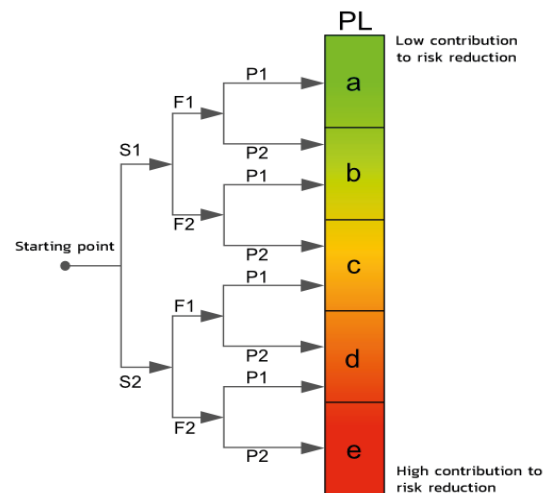
- We keep large stocks of spare parts to ensure quick service.
- We have original spare parts available even for machines that were commissioned decades ago

## Recurring tests according to DGUV

- Inspection of centrifuges according to the latest diagnostic procedures
- We perform recurring tests on centrifugals according to DGUV rule 100-500 (German social accident insurance)
- Reliable and repeatable test results
- Our employees are qualified, certified, and authorised persons according to EN ISO 9712. (Non destructive testing)
- Inspection, repairs and documentation from a single source
- Early detection of occurring defects
- Preventive maintenance to avoid damages
- Less expenditures of time and cost
- Long-term experience

## Modernization

- Modification of existing centrifuges according to performance level D
- Implementation according to valid Machinery Directive
- Possible integration of a monitoring system for continuous analysis and diagnosis of all rotating parts



- as well as the functionality for automatic transfer of status and fault reports by SMS or e-mail
- Improved operational safety according to performance level D
- Failsafe control due to design and programming in accordance with DIN ISO 13849-1
- Sensor upgrades to monitor vibration, speed, and pendulum movement
- Safety-Limited Speed (SLS) for safe shutdown in the event of a malfunction without loss of batch or delay due to cleaning
- State-of-the-art diagnostic system for quick analysis, localisation and repair of defects

#### Further Services

- Manufacturing of components
- Machine analysis
- Process optimization
- Balancing of machine components with or without disassembling according to DIN ISO 21940-11
- Evaluation of machine vibration according to DIN ISO 10816-3

## Our market is the world

Buckau-Wolf GmbH is a globally active, owner-managed company with a long tradition specializing in special machinery. We are experts in industrial mixing and separation processes for a variety of applications. We offer our customers the reliability of a supplier that has been established for decades, modern control technology, competent staff and flexible service.

Whether with spare parts, maintenance, inspection, security conversions or rental machines - **qualified, reliable and flexible**

### BUCKAU-WOLF GMBH

Nordstrasse 41  
41515 Grevenbroich  
Germany

Phone: +49 2181 602-400  
Fax: +49 2181 602-342  
E-Mail: [supraton@buckau-wolf.com](mailto:supraton@buckau-wolf.com)

[www.buckau-wolf.com](http://www.buckau-wolf.com)

